

Installation Instructions

ZKHCSS2 Tubular Stainless Steel Handles and Handle Side Trim

Before you begin – Read these instructions completely and carefully.

Note to Installer: Be sure to leave these instructions with the Consumer.

Note to Consumer: Keep these instructions with your Owner's Manual for future reference.

Right hand door swing models are illustrated in these instructions. Follow these same instructions for left hand models.

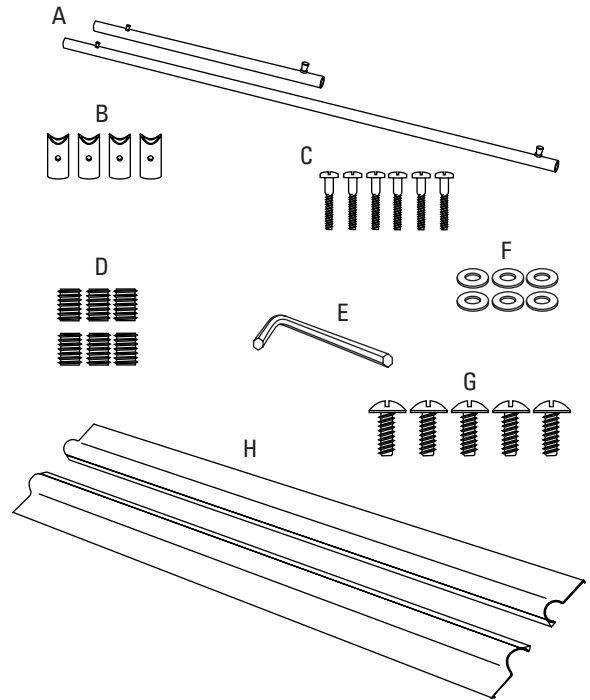
This kit provides for the installation of Tubular Stainless Steel handles or custom handles on 3/4" overlay custom panels.

Tools and materials required:

- #2 Phillips screwdriver
- Drill and 7/32", 1/8" bits and 7/8" spade bit
- Custom door panels,
- Safety glasses
- Center punch
- Hammer
- Pencil

Parts List:

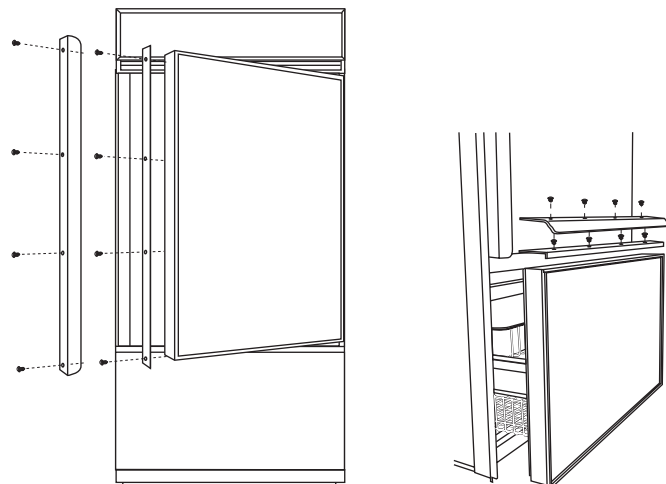
- A. Freezer tubular handle (95376) and fresh food tubular handle (95377)
- B. 4 Handle standoffs, 70536
- C. 6 Screws for handle standoffs
#10-32x1" pan head machine screws (4 required, 2 extra), 36298
- D. 6 Set screws (4 required, 2 extra) 70539
- E. 3/32" Allen wrench for set screws, 70548
- F. 6 Plastic spacers (4 required, 2 extra) 70540
- G. 5 Trim screws (4 required, one extra) 8665
- H. Handle side trim for LH models (75468), trim for RH models (75469)



STEP 1 REMOVE DOOR AND DRAWER HANDLES

- Open refrigerator door to 90°. Remove the 4 screws holding the handle to the door.
- Remove 4 screws holding handle side trim. Discard all screws and trim. Discard handle.
- Open freezer drawer to access handle and trim. Remove and discard handle, **retain screws and trim**.

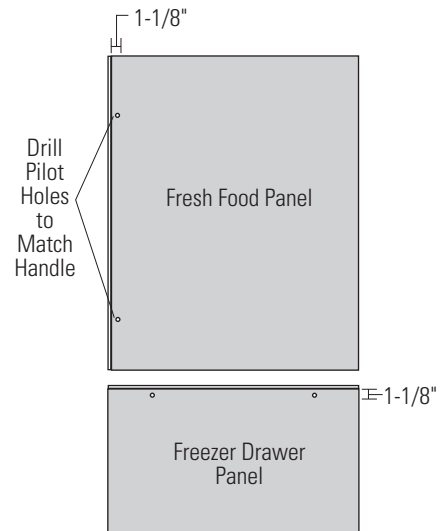
If you are installing custom handles, go to STEP 3.



STEP 2 INSTALL TUBULAR STAINLESS STEEL HANDLES ONTO PANELS

Drill Pilot Holes

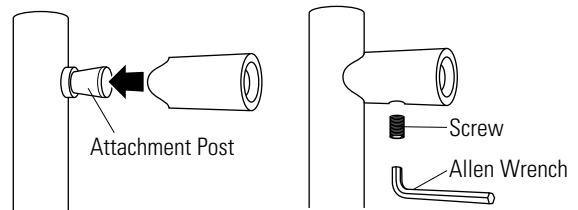
- Measure, mark and draw a line, 1-1/8" from the handle side edge, top to bottom.
- Hold the tubular handle against the appearance side, centered top to bottom and on the marked line.
- Mark the screw hole locations at the center of the handle attachment posts. Place handle over the marks to check again that holes are aligned to handle posts.
- Center punch to mark hole locations. Drill 7/32" pilot holes from the appearance side and through the entire panel thickness.
- Follow the same procedure to drill pilot holes on the freezer door.



CAUTION: Hole locations must be exact to accept handle standoff and handle assembly.

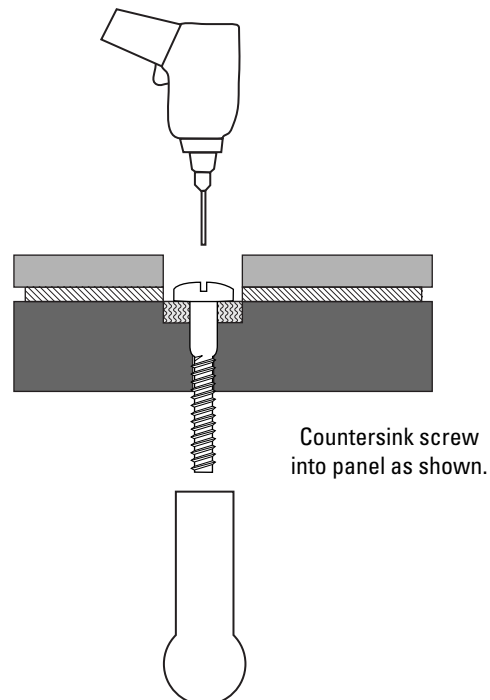
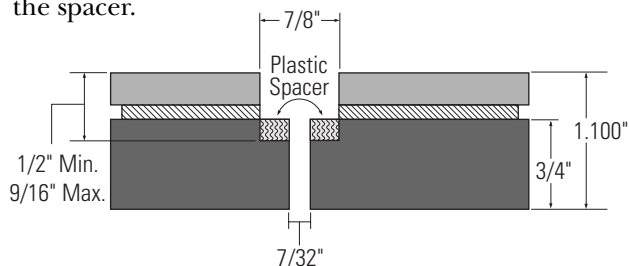
Assemble Handles

- Place a handle standoff on each attachment post on the handle. Position the screw hole on the standoff to point to the floor.
- Install set screws into the bottom of each standoff, using the Allen wrench provided. The standoff should be tight against the handle.



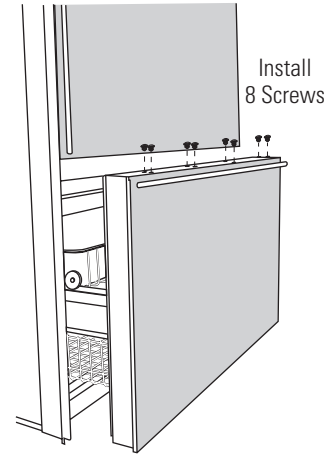
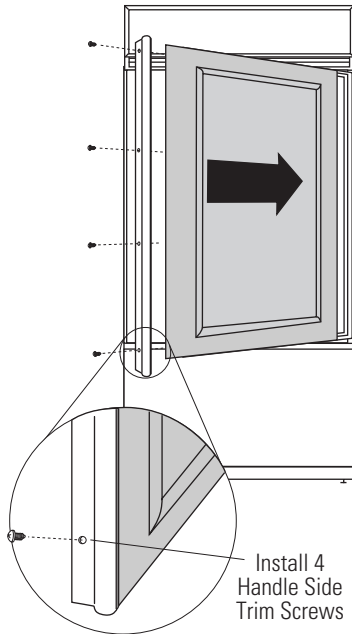
Secure Handles to Panels

- Use a 7/8" spade bit to drill 1/2" to 9/16" max. depth into the back side of the panel. At this depth there will be enough screw threads to engage the handle on the appearance side. See illustration.
- Stand the panel up on the hinge side. Place a plastic spacer into the 7/8" opening, drop screw through the spacer.



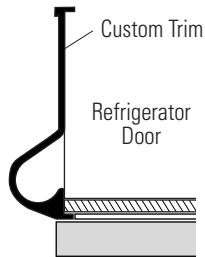
- Place handle standoffs against the mounting screws on the appearance side, drive top screw partially into the standoff.
- Drive next screw partially into the standoff. Continue installing screws to the bottom location. Alternate back to the top tightening screws one at a time until the handle is tight against the panel.

STEP 3 INSTALL ASSEMBLED PANELS



- Slide assembled panel into the drawer trim.
- Secure the original drawer trim using original round head trim screws.

- Install custom handles according to the manufacturer's instructions.
- Slide assembled door panel into the trim.
- Determine the correct trim for your model (for left or right door swing). Place trim against the side of the refrigerator door, aligned top to bottom. The holes in the trim should align to the holes in the door. Discard the other trim piece.
- Remove trim. Use a 1/8" bit to drill the semi-punched holes in the refrigerator door.
- Secure the new custom handle side trim using the supplied screws.



Trim to Panel Fit

Note: While performing installations described in this book, safety glasses or goggles should be worn.

For Monogram® local service in your area, call 1-800-444-1845.

Note: Product improvement is a continuing endeavor at General Electric. Therefore, materials, appearance and specifications are subject to change without notice.



Monogram.®
We bring good things to life.

Pub. No. 31-46033-2
Dwg. No. 197D4869P001

(N.D. 532) 9/02

75470

General Electric Company
Louisville, KY 40225